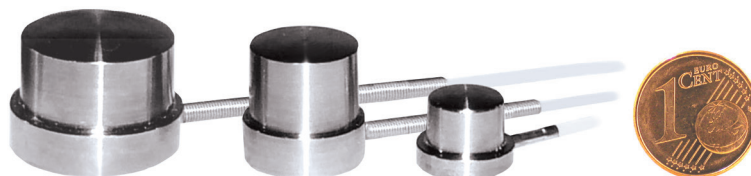


# Miniature Load Cell

## Model 8402

Code:	8402 EN
Delivery:	ex stock
Warranty:	24 months



- Available ranges from 0 ... 1 kN up to 0 ... 100 kN
- Very small dimensions
- Drug chain qualified cable
- Made of stainless steel
- With standardized output signal

### Application

This, related to its measuring range, miniaturized load cell enables an universal and reliable operation in industries and laboratories. It is well suited for compression measurements in very restricted structures. The load cell is a compact construction and made of superrefined steel. Therefore it can be used in many fields of industry, like.

Examples are:

- ▶ Press-in force measurements on longitudinal and transversal connections
- ▶ Compression force measurements on punch and roller applicancy
- ▶ Spring tension measurements on shock absorbers for cars
- ▶ Contact pressure determination in push rods
- ▶ Compression force measurements on compressed-air knee-lever presses

### Description

Thanks to the rounded top, in shape of a little hat, the force to be measured is led into the sensor centrally and free of lateral force.

Strain gauges arranged in a full bridge are applied on the generated surface of the sensor. By applying a force to the strain gauge bridge the resistance change of the strain gauges is transformed into an output voltage which is directly proportional to the measured force.

The load cells have to be mounted on a smooth, plane parallel surface. They can be fixed with contact glue or silicone. To receive an adequate measurement accuracy neither transversal nor lateral forces have to influence the load cell.

Clamp forces acting laterally on the load cell have to be avoided. During installation or mounting you have to take care that the cable outlet and the cable of the load cell are not stressed by tension and bending forces.

The output signal of the connecting plug is 1.5 mV/V, so that a parallel connection or an exchange can easily be done, without the need to re-adjust the processing electronics.

**Technical Data**

Order Code	Measuring Range		Accuracy [% F.S.]	Non-Repeatability [% F.S.]	Dimensions [mm]									Weight without Cable [g]
					ø D1	ø D2	F	A	H	G	ø C	ø K	M	
8402-6001	0 ...	1 kN	≤ ± 0.75	≤ ± 0.4	6.4	12.7	3.05	14.9	9.6	0.25	1.9	2.8	1.6	4
8402-6002	0 ...	2 kN	≤ ± 0.5	≤ ± 0.25	6.8	12.7	3.05	14.9	9.6	0.25	1.9	2.8	1.6	4
8402-6005	0 ...	5 kN	≤ ± 0.5	≤ ± 0.25	7.7	12.7	3.05	14.9	9.6	0.25	1.9	2.8	1.6	5
8402-6010	0 ...	10 kN	≤ ± 0.5	≤ ± 0.25	10.0	12.7	3.05	14.9	9.6	0.25	1.9	2.8	1.6	7
8402-6020	0 ...	20 kN	≤ ± 0.5	≤ ± 0.25	14.0	15.9	6.0	16.5	16.0	0.25	1.9	2.8	3.1	19
8402-6050	0 ...	50 kN	≤ ± 0.75	≤ ± 0.25	19.7	22.4	6.0	19.7	16.0	0.25	1.9	2.8	3.1	40
8402-6100	0 ...	100 kN	≤ ± 0.75	≤ ± 0.25	26.5	44.0	15.0	35.0	38.0	0.5	3.0	7.0	7.5	260

**Electrical values**

Bridge resistance: full bridge circuit of foil strain gauge  
350 Ω, nominal<sup>1)</sup>

Excitation: recommended 3 V DC or AC  
max. 5 V DC or AC

Nominal sensitivity: (standardized in the cable) 1.5 mV/V, ± 0.5 %

Insulation resistance: >10 MΩ

<sup>1)</sup> Deviation from stated value is possible.

**Environmental conditions**

Range of operating temperature: -30 °C ... +100 °C

Nominal temperature range: +15 °C ... 70 °C

Influence of temperature on zero: ≤ ± 0.05 % F.S./K

Influence of temperature on sensitivity: ≤ + 0.05 % Rdg./K

**Mechanical values**

Deflection: ≤ 50 μm

Overload: 150 % of capacity

Dynamic performance: recommended 70 % of capacity

Material: stainless steel 1.4542

Resonance frequency: all ranges >20 kHz

Electrical connection:  
4 wire, shielded, TPE coated cable, cable length approx. 2 m for non-standardized sensors and with standardization in plug model 9970 cable length approx. 1.7 m  
measuring range ≥ 0 ... 20 kN additionally with anti-kink coil length approx. 35 mm, ø 3.5 mm, drag chain qualified.

Standardization: circuit board (70 x 8 mm) at the connection cable, 30 cm away from the end

Bending radius: measuring range ≤ 0 ... 50 kN ≥ 20 mm  
measuring range 0 ... 100 kN ≥ 30 mm

Protection class: acc. to DIN 60529 IP54

Wiring code: white excitation voltage positive  
brown excitation voltage negative  
yellow signal output positive  
green signal output negative

Dimensions: refer to table and scale drawing

General tolerance of dimension: according to ISO 2768-f

Weight: according to measuring range, refer to table

**Order Information**

Miniature load cell, measuring range 0 ... 2 kN **Model 8402-6002**

**Accessories**

Mating connector  
12 pins, suitable to all burster desktop devices **Model 9941**  
9 pins, suitable to SENSORMASTER and DIGIFORCE® **Model 9900-V209**

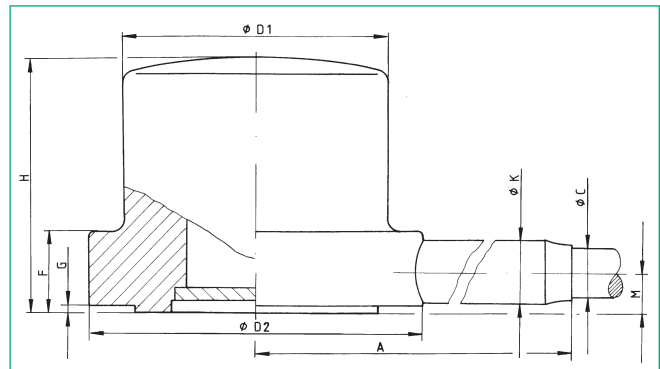
Mounting of mating connector to conductor cable **Order Code: 99004**

Only for connection between sensor and SENSORMASTER model 9163 desktop version **Order Code: 99002**

Amplifiers, sensor supplying instruments and process controllers as e.g. digital measuring indicator, series 9180, model 9163, model 9243 or DIGIFORCE® model 9307 **see section 9 of the catalog**

Strain gauge simulator as supporting accessory for creating strain gauge source signals in order to adjust amplifiers and monitors **Model 9405**

**Dimensional drawing model 8402**

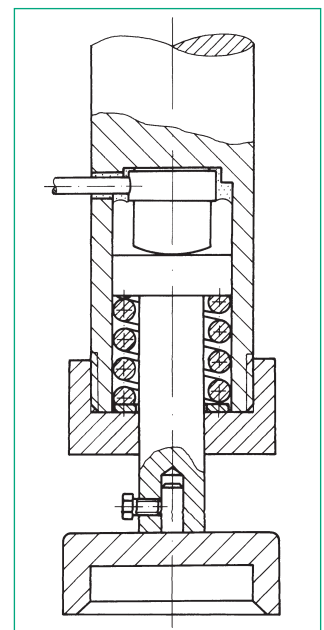


The CAD drawing (3D/2D) for this sensor can be imported online directly into your CAD system.

Download via [www.burster.com](http://www.burster.com) or directly at [www.traceparts.com](http://www.traceparts.com). For further information about the burster traceparts cooperation refer to data sheet 80-CAD-EN.

**Application example**

The load cell can be fastened either with wax or silicone to its lateral surface. An attachment is most appropriate by means of pre-loading (spring). The two surfaces affecting the cell must be polished evenly and at any time react angular to the sensor axle as well as they have to be through-hardened (HRC 60).



**Test and Calibration Certificate**

Included in delivery, et al. with specification of zero output, sensitivity and shunt calibration factor.

**Factory Calibration Certificate (WKS)**

Calibration of a load cell separately as well as connected to an indicator. Standard is a certificate with 11 points, starting at zero, running up and down in 20% increments covering the complete measuring range for preferential direction. Special calibrations on request. Calculation of costs by base price plus additional costs per point.

**Order Code 84WKS-84...**