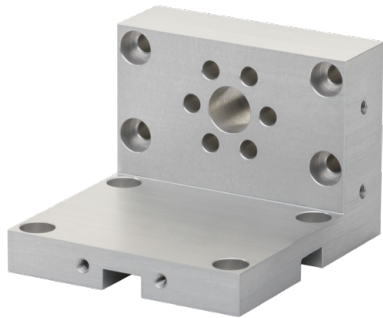


Bracket for 8625 & 8630, measurement ranges ≤ 10 N·m

MODEL 8600-Z005



Highlights

- Easy to mount on the passive side of the 8625 or 8630
- Flexible assembly options
- Screws for mounting on the sensor included in delivery



Model 8625



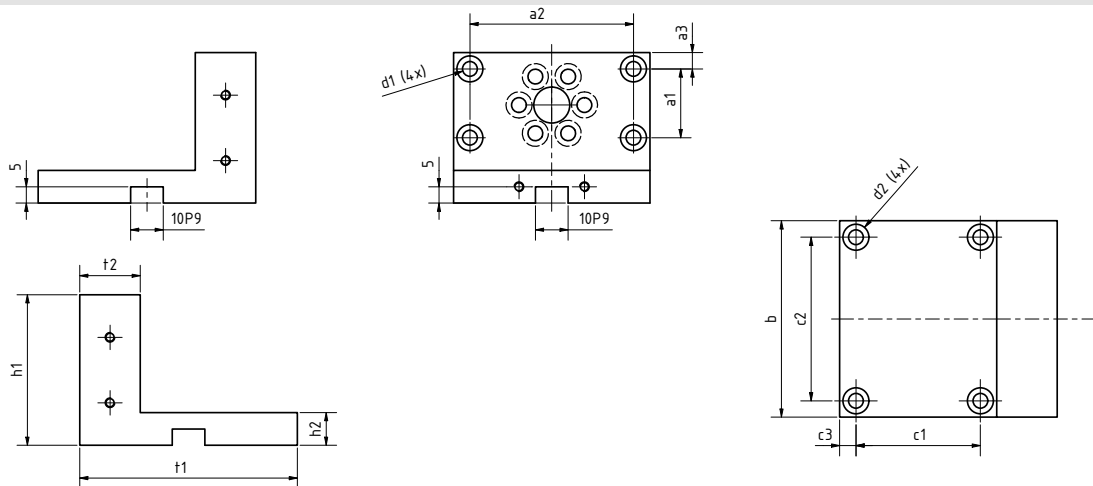
Model 8630

Product description

For applications with horizontal torque introduction, this bracket is a quick and easy way to mount the sensor. Further fastening of the passive sensor side is not necessary, so an additional coupling can be dispensed with for Model 8625.

Several through-holes are available for attaching the bracket. The tightening torque must be observed when mounting the bracket.

Dimensional drawing – 8600-Z005



8600-Z005		a1	a2	a3	b	c1	c2	c3	d1 = d2	h1	h2	t1	t2
Dimensions	[mm]	21	50	5	60	38	50	5	Ø 4.5 DURCH, Ø 8 x 4.6	46	10	66.5	18.5

Tightening torques according to ISO 4762:

8600-Z005		Mounting bracket on the sensor		Mounting bracket outside	
Screw size		M4 x 20		M4	
Min. strength class		12.9		8.8	
Tightening torque	[N*m]	5		3	